

# DH-ARD1612

Curtain PIR Detector (86 box)



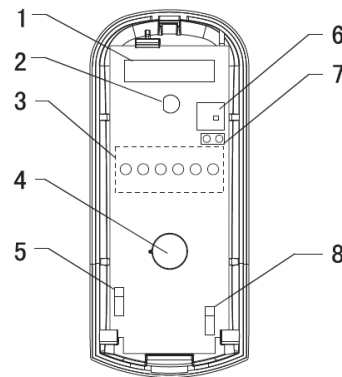
## Features

- Narrow detecting angle, 15 degree
- Detection distance 8M
- Wall or Ceiling mounting optional
- External tamper
- Dual low-noise pyroelectric infrared sensor
- P. Count optional, 1P/2P/3P
- Alarm output N.C./N.O. optional

## Technical Specification

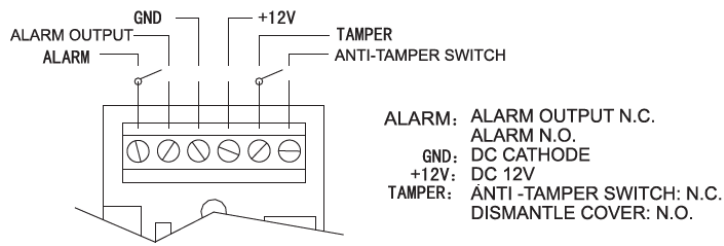
Detection Range/Angle	8m/15°
Microwave Frequency	-
Mounting Type	Wall mount/ Ceiling mount
Installation Height	<3.6m
Pet Immunity	-
Relay Output	N.C.
Tamper Switch	N.C.
Dimension	80mmx34.5mmx28mm
Working Voltage	DC9-16V
Operation Current	<25mA
Working Temperature	-10°C~+50°C
Material	ABS plastic

## Inside View

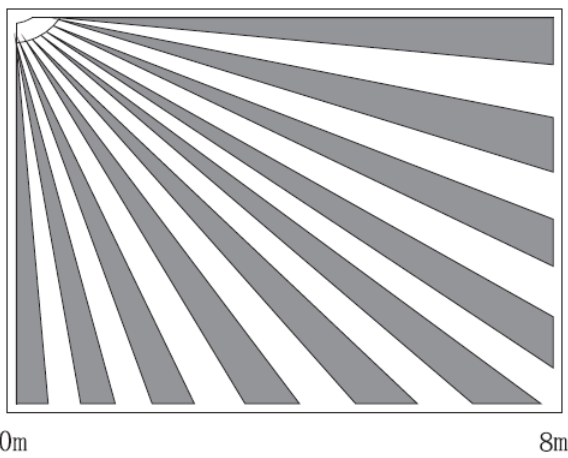


1. Relay
2. LED
3. Terminal
4. Sensor
5. RELAY jumper
6. Anti-tamper switch
7. LED jumper
8. P.COUNT jumper

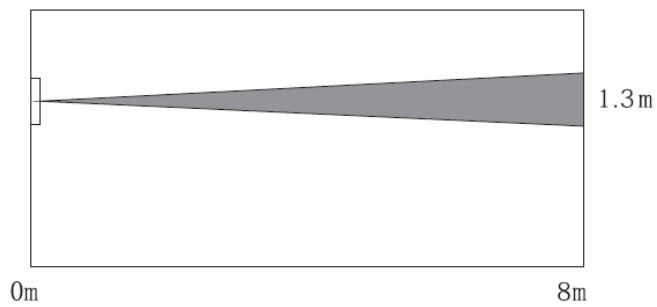
### Terminal Block



### Detecting Range



Side view



Top view